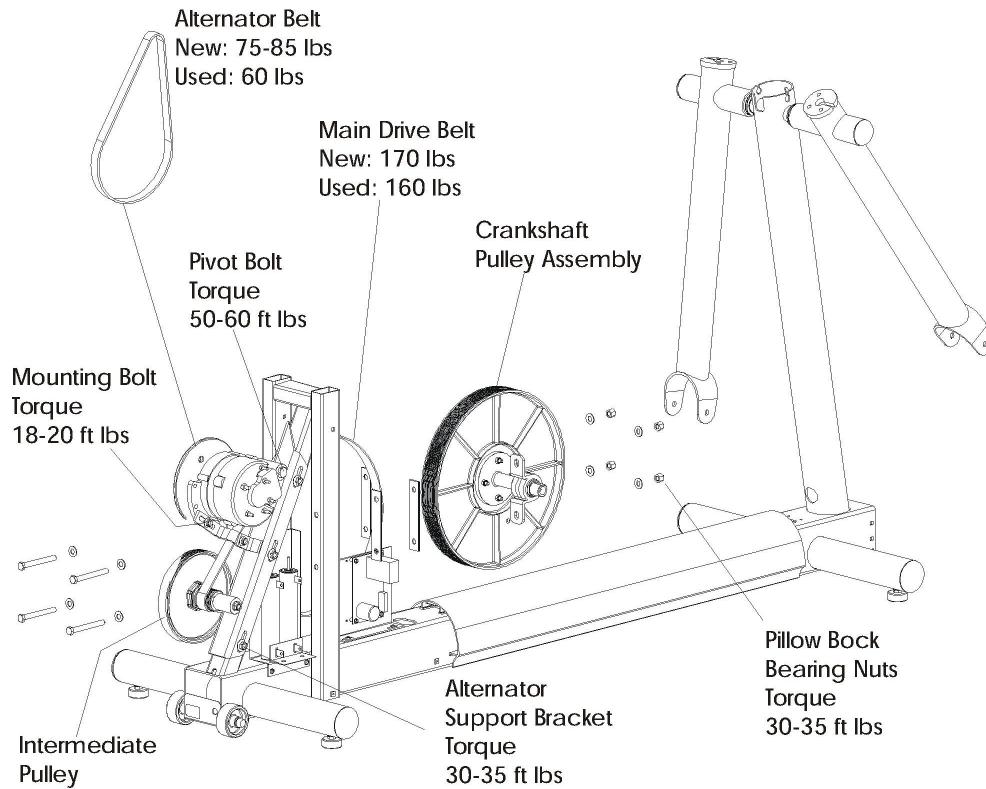


Life Fitness Models X9i, 8500, 9100, and 9500HR Cross-Trainers

How To... Replace The Drive Belt and Alternator Belt

Tools required: 3/8" Socket set and Standard wrench set, and Phillips screwdriver



1. Remove the both REAR COVERS. See How To...Remove Rear Covers.
2. Loosen the ALTERNATOR PIVOT BOLT and release tension on the alternator belt, then remove the ALTERNATOR BELT off the INTERMEDIATE PULLEY.
3. Loosen the five(5) mounting bolts on the ALTERNATOR BRACKET and move the bracket upward and remove the DRIVE BELT off the crankshaft pulley assembly.
4. Remove the CRANKSHAFT PULLEY ASSEMBLY by removing four(4) mounting bolts at the PILLOW BLOCK BEARINGS.
5. Remove and discard the DRIVE BELT.
6. Install new 10-rib Kevlar drive belt and alternator belt in reverse order.